

Kenics Static Mixer Installation, Operation and Maintenance Manual

Model:

KMS, KME & KMR STATIC MIXERS

Unit Serial No.:

Equipment No.:

Manual No.:

801

For service and information contact:



Manufacturer of the Kenics Static Mixer
 North Andover, Ma. 01845

INSTALLATION, OPERATION AND
 MAINTENANCE MANUAL

KMS, KMR & KME STYLE MIXERS

MANUAL NO. 801 REV. 1/1/82

CONTENTS	PAGE
GENERAL.....	1
OPERATION & MAINTENANCE.....	3
INSTALLATION, KMS, KMR & KME.....	7
PARTS DRAWING, STYLE KMS	
PARTS DRAWING, STYLE KMR	
PARTS DRAWING, STYLE KMR w/RING	
PARTS DRAWING, STYLE KME	

FACTORY: Chemineer Kenics
 North Andover, Mass. 01845
 Refer to the front cover of this manual for the
 name and address of your local Chemineer Kenics
 representative.

GENERAL: Your Kenics Mixer is a rugged piece of process mixing equipment manufactured to demanding design and quality standards. This manual has been provided to assist you in the storage, handling, installation and operation of your mixer and should be reviewed carefully before removing the mixer from the package. Adherence to a very few precautions will assure a highly satisfactory installation and years of trouble free service.

The few difficulties encountered with Kenics Mixers most often result from improper handling, installation, and operating procedures. The following quick check list should assist you in avoiding any difficulties:

1. Flanged mixers should not be bolted into systems where misalignment or gaps exist between the mixer and mating flanges. This can be especially critical to plastic (FRP, PVC, or CPVC) mixers. Follow flange tightening instructions later in the manual.
2. Plastic (FRP, PVC, CPVC) mixers must be handled and stored with care. Never use chains, cables, or fork lifts in direct contact with the mixer. If the mixer is too large or heavy to be moved manually, use a web sling or two heavy cloth straps spaced at least 1/2 the mixer length apart. Lifting lugs, if provided, should be used. Never drag or push the mixer; always lift it.
3. Mixers should be operated within process and pressure/temperature limits specified. Consult your local representative or the factory prior to changing operating conditions.
4. Injection of side streams prior to the mixer can be very important to operation of the mixer where large viscosity density, or volumetric differences exist. Refer to the Operation Section of this manual or consult your local representative or the factory for specific recommendations.
5. Some Kenics Mixers are equipped with loose, removable internal components as specified on the equipment order drawing. Extreme care should be exercised in handling and lifting in order to avoid damage and personal injury.

For dimensional and construction information refer to the PARTS DRAWING in this manual and to the equipment order drawing supplied with your mixer.

INSPECTION AND/OR SHIPPING DAMAGE: Your Kenics Mixer was carefully packaged, crated, or protected for shipment. However, upon receipt it should be carefully inspected for any shipping damage. Any damage should be reported immediately and a claim filed with the responsible carrier. Your local Chemineer Kenics representative or the factory Customer Order Service Department can assist with claims.

Shipping package contents should be inspected for conformity with your order and for proper unit quantities. Any discrepancies should be reported to the factory Customer Order Service Department within one week of receipt.

STORAGE AND HANDLING: All Kenics Mixers should be stored indoors in clean, well ventilated storage areas. Care should be taken to see that excessive loads are not applied to the mixer during storage. Sealing surfaces (thread & flanges) should be protected. The original shipping container is adequate protection for most storage conditions. A rust-preventative paint is applied to carbon steel external surfaces prior to shipment. For extended storage in harsh environments additional coating or protection may be required.

Mixers must be handled with appropriate care. Careless handling may result in permanent damage.

FIELD MODIFICATION TO KENICS MIXERS: No field modifications (cutting to length, addition of fittings, etc.) to Kenics Mixers should be made without prior consultation with your local representative or the factory. Integrity of the mixing elements can be seriously altered without proper instructions.

OPERATION: There are few special operating instructions required with Kenics mixers. Your mixer was designed based upon the flow rate specified and most efficient performance will occur at that rate. The mixer, however, will accommodate wide flow variations in most processes. Consult your local representative or the factory for specific recommendations.

The nameplate on your mixer and the equipment order drawing include product pressure/temperature rating information. These ratings should not be exceeded. For service conditions other than the specified ratings, consult your local representative or the factory.

INJECTION AND METERING: Since the Kenics mixer is a radial mixer having characteristics approaching a plug flow device, a minimum amount of backmixing is achieved. In order to maintain this characteristic, excessive surging or pulsating of the feed components should be minimized to avoid nonuniformity of the final product. This can be especially important with certain applications including addition of a caustic or acid for pH control or blending of wide viscosity streams. It is therefore important that the upstream equipment including type of pump and injection method be considered when designing mixer systems.

PUMP SELECTION: For low viscosity systems (500 cps or less) with constant head, centrifugal pumps may be used. With fluctuating heads, a valving system to control flow is necessary to maintain proper on-stream metering. For high viscosity systems and/or high pressure operations, rotary positive displacement types such as gear pumps and screw pumps are recommended.

For reciprocating piston pumps (which have an inherent pulsating action) an accumulator should be installed before the flow discharge to the mixer in order to dampen the pulsating effect. High pulse rate or multihead types of pumps can also be used to maintain a steady discharge flow.

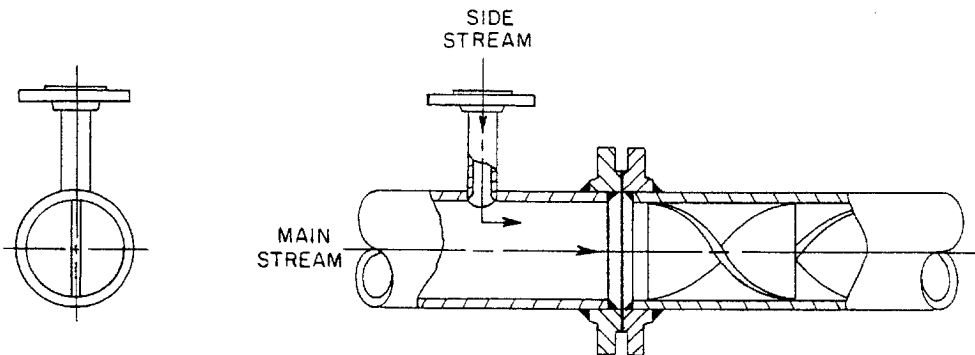
Refer to published industry standards and engineering guide lines for recommended practice relating to the design and selection of pumps and piping systems.

INJECTION METHODS

COMMON APPLICATIONS: Sidestream introduction normally does not require special consideration and can be simply accomplished by any convenient method including standard 'T' or 'Y' type connections. Most blending applications where three elements (Model 3) or more are utilized and dispersion applications where six elements (Model 6) or more are used do not require special sidestream introduction. For certain applications involving extreme volumetric ratios or widely differing viscosities, or where minimum models are used (Model 2 for blending or Model 4 for dispersion), injection can be more critical and the following configurations are recommended:

METHOD 1 - For liquid-liquid or gas - gas blending using a two element design (Model 2)

with volumetric ratios less than..... 100:1
 or viscosity ratios less than..... 1000:1
 or density ratios less than (liquids)..... 2:1
 or density ratios less than (gases) 5:1



The sidestream introduction point should be as close as possible to the first element, usually no more than 1-2 pipe diameters upstream. Introduction should be in the center of the pipe and parallel to the leading edge of the first element as shown above. The sidestream velocity should be equal to approximately twice the mainstream velocity. Where the above component ratios are exceeded, for either blending or dispersion, Method 2 injection is preferred.

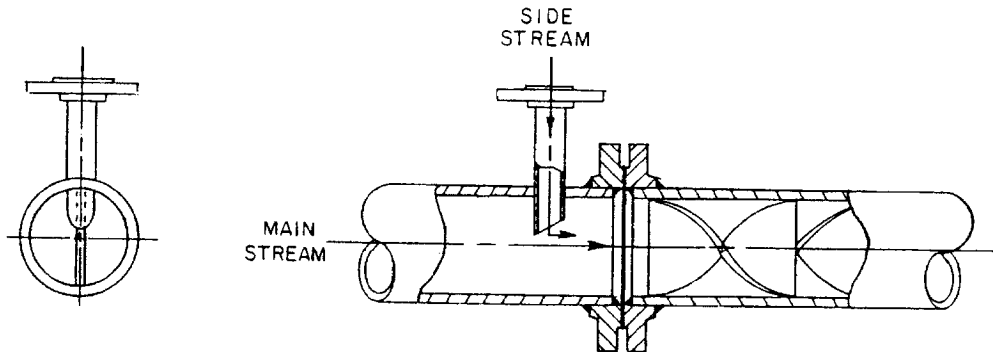


Manufacturer of the Kenics Static Mixer
North Andover, Ma. 01845

METHOD 2 - For liquid-liquid or gas - liquid dispersion using a four element design (Model 4)

or volumetric ratios greater than..... 100:1
or viscosity ratios greater than..... 1000:1
or density ratios greater than (liquids)..... 2:1

When any of the above design conditions exists, a true injector which crosses the pipe wall and approaches the centerline, as shown below, is preferred to the nozzle introduction under Method 1.



The smaller stream should be injected into the main flow. The injector tip of the minor component should be in the center of the pipe and as close to the leading edge of the first element as possible, ideally less than one pipe diameter. Injection should be parallel to the leading edge of the first element as shown above. The sidestream velocity should be approximately two times the mainstream velocity, regardless of component viscosities.

For viscosity ratios much greater than those shown, mixer performance can be effected by shear rate, absolute viscosity level, flow rates and non-Newtonian characteristics. Consult Chemineer Kenics for specific recommendations.

KENICS MIXER IOM MANUAL

GENERAL INSTRUCTIONS

REV. 1/1/82



Manufacturer of the Kenics Static Mixer
North Andover, Ma. 01845

MAINTENANCE: Kenics mixers require no routine maintenance other than sealing joint care typical to the rest of the piping system. For mixers with removable elements (KMR, KMR-PTFE and Sanitary) the element assembly may be removed for periodic cleaning or inspection by disconnecting the adjacent downstream component which must be as long as the mixer in order to extract the mixing element. Otherwise, both ends of the mixer must be disconnected and the mixer removed from the pipe line.

If the mixer supplied contains removable elements, note the warning below.

CAUTION

THIS EQUIPMENT CONTAINS REMOVABLE
INTERNAL COMPONENTS, HANDLE WITH
CARE TO PREVENT DAMAGE OR INJURY.

INSTALLATION, GENERAL: Kenics mixers can be located anywhere in your piping system and may be installed vertically, horizontally, or at any intermediate angle. The mixing action produced by the mixer continues for some distance downstream and it is desirable to leave considerable distance after the mixer to achieve maximum benefit. Where the mixer is used to achieve uniformity, such as in sampling, or prior to manifolds and where disengagement of phases can occur, the mixer should be located no more than 1-2 pipe diameters from the desired result.

Metal mixers are designed for installation in commonly used piping systems and are available for welded, threaded, and a variety of flanged installations. Refer to your equipment order drawing for the specific end option hardware supplied.

Before installation, purge process lines to remove foreign material and debris. In most new construction or modifications to process piping there is a high probability of foreign material within the system, which if not removed could damage the mixer.

FLANGED MIXERS: Mixers can be provided with raised face slip-on, raised face weld neck or lap joint flanges in all standard pressure ratings or drillings. Refer to your equipment order drawing for the type and rating of flange supplied.

Unless specified otherwise on the equipment order drawing, flange facing finish is either a serrated-concentric or a serrated-spiral with a surface finish of approximately 500 micro-inch.

A wide variety of gasketing materials can be used depending upon plant standards, materials being handled, or gasket supplier recommendations. Local gasket distributors should be contacted for specific recommendations.

Flanged mixers should fit snugly into your piping system without gaps or misalignment at either end. It is poor practice to over tighten flange bolts in order to compensate for misalignment or gaps in the piping system. Flange distortion or housing to flange joint fracture may occur.

Sound engineering practice and plant standards should be followed in flange bolt tightening, especially in high pressure service or those employing special gasketing.

THREADED END MIXERS: Kenics mixers with threaded ends are provided with die cut NPT threads which are cut to high quality standards. Little difficulty should be encountered in achieving sound, leak free joints if good pipe fitting practice is followed and mating threads are of equal quality. A high quality thread sealing compound will help to assure leak free joints.

WELD PREPPED OR PLAIN END MIXERS: Weld prepped mixers are supplied with standard 37 1/2° weld prepped ends for field installation of flanges or direct installation in the piping system.

All field welding should be performed by welders qualified for the class of service and materials specified.

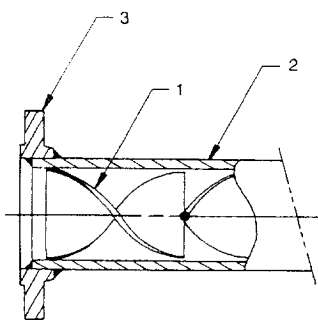
Plain end mixers are supplied for field beveling and welding, threading, or other desired customer uses.

KMR-REMOVABLE ELEMENT STYLE, SPECIAL INSTRUCTIONS: Style KMR mixers have removable element assemblies for inspection or periodic cleaning. KMR styles are supplied in two configurations with either rod or ring element retention. Refer to your equipment order drawing for option supplied and to the PARTS DRAWING contained in this manual.

Removable element mixers should be installed with the retained end of the mixer (either rod or ring) downstream so that the element assembly is forced onto the retention rod or ring. A flow decal on the mixer and the PARTS DRAWING show proper flow orientation. Vertical installation is not recommended unless the assembly is retained by a ring or is tack welded in place.

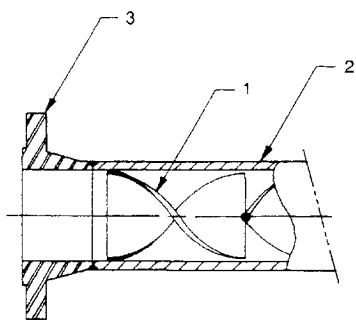
With rod retention the element assembly has a slip fit into the mixer housing, and back flow of fluid in the piping system could dislodge the mixing elements causing damage upstream. To avoid this the element assembly can be tack welded to the housing or an obstruction such as an elbow or rod installed immediately upstream of the mixer.

With ring retention a gasket is required on both sides of the retention ring as shown on the PARTS DRAWING.



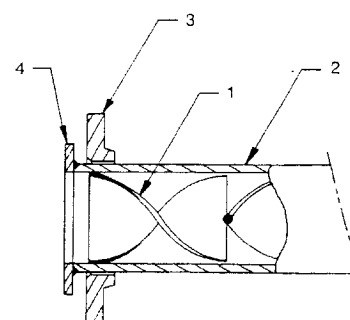
ITEM	DESCRIPTION	MAT'L
3	RFSO Flange (2)	1

w/RAISED FACE SLIP-ON FLANGES



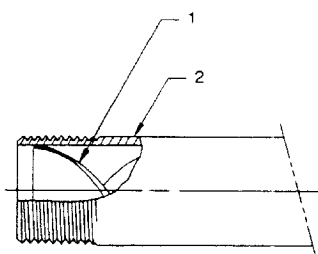
ITEM	DESCRIPTION	MAT'L
3	RFWN Flange (2)	1

w/RAISED FACE WELD-NECK FLANGES

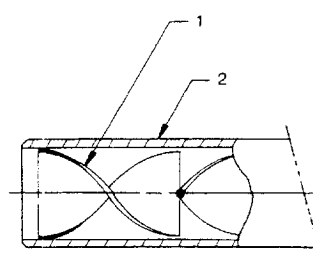


ITEM	DESCRIPTION	MAT'L
3	Lap Joint Flange (2)	C. Steel
4	Stub-End Ring (2)	1

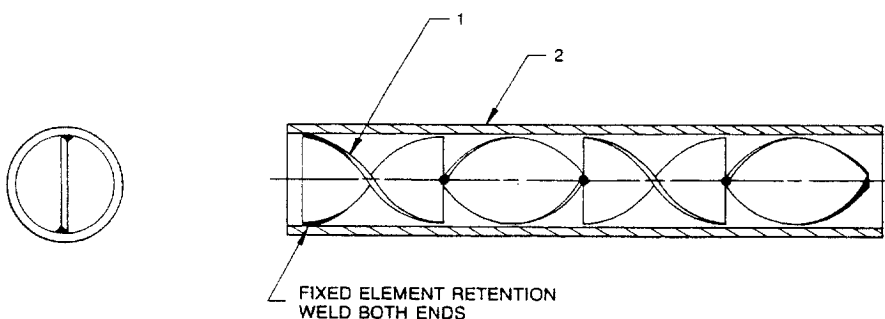
w/LAP JOINT FLANGES



w/THREADED ENDS



w/WELD-PREPARED ENDS



ITEM	DESCRIPTION	MAT'L
1	Element Assembly	1
2	Housing	1

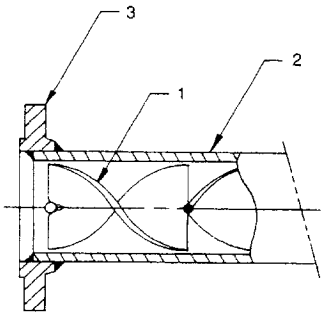
BASE MIXER w/PLAIN ENDS 2 3

NOTES: 1 Refer to equipment order drawing for materials of construction.

2 Model 4 shown. Other models ranging from 2 to 24 elements available. Refer to equipment order drawing for model supplied.

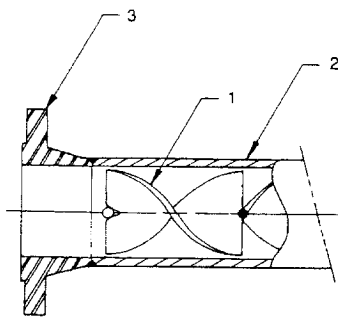
3 Optional end configurations shown in figures above. Refer to equipment order drawing for end option, rating and housing schedule supplied.

4 Basic mixer shown. Options such as jackets, injectors, nozzles and drains are shown on equipment order drawing.



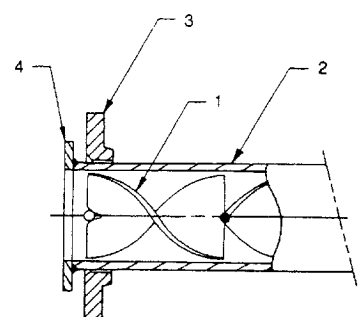
ITEM	DESCRIPTION	MAT'L
3	RFSO Flange (2)	1

w/RAISED FACE SLIP-ON FLANGES



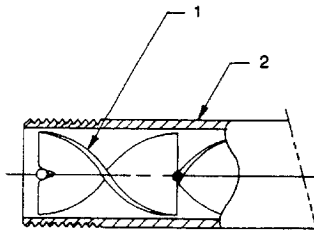
ITEM	DESCRIPTION	MAT'L
3	RFWN Flange (2)	1

w/RAISED FACE WELD-NECK FLANGES

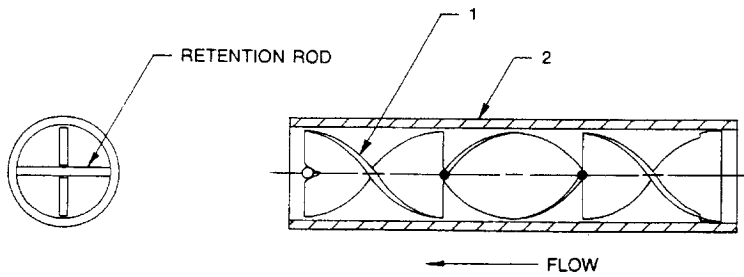


ITEM	DESCRIPTION	MAT'L
3	Lap Joint Flange (2)	C. Steel
4	Stub-End Ring (2)	1

w/LAP JOINT FLANGES



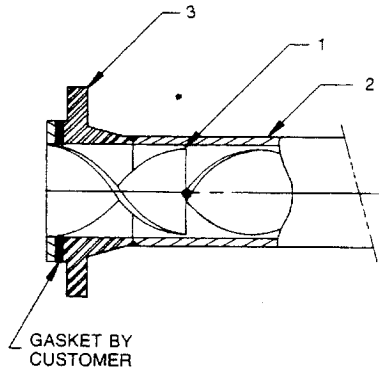
w/THREADED ENDS



ITEM	DESCRIPTION	MAT'L
1	Removable Element Assembly	1
2	Housing With Retention Rod	1

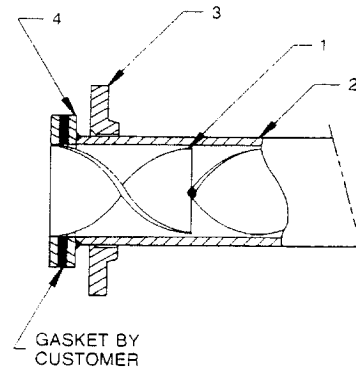
BASE MIXER w/PLAIN ENDS 2, 3

- NOTES: 1 Refer to equipment order drawing for materials of construction.
 2 Model 3 shown. Other models ranging from 2 to 24 elements available. Refer to equipment order drawing for model supplied.
 3 Optional end configurations shown in figures above. Refer to equipment order drawing for end option, rating and housing schedule supplied.
 4 Basic mixer shown. Options such as jackets, injectors, nozzles and drains are shown on equipment order drawing.



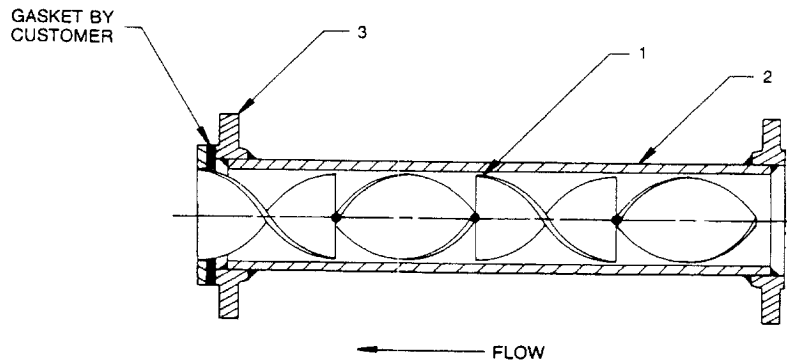
ITEM	DESCRIPTION	MAT'L
3	RFWN Flange (2)	[1]

w/RAISED FACE WELD-NECK FLANGES



ITEM	DESCRIPTION	MAT'L
3	Lap Joint Flange (2)	C. Steel
4	Stub-End Ring (2)	[1]

w/LAP JOINT FLANGES

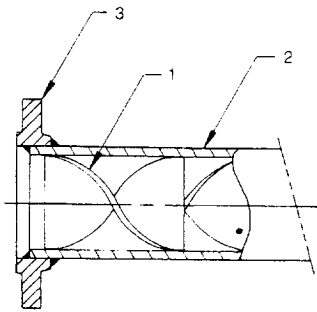


ITEM	DESCRIPTION	MAT'L
1	Removable Element Assembly W/Retention Ring	[1]
2	Housing	[1]
3	RFSO Flange (2)	[1]

BASE MIXER w/RAISED FACE SLIP-ON FLANGES [2] [3]

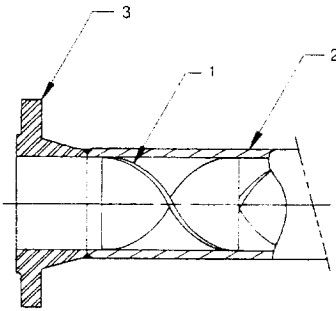
- NOTES: [1] Refer to equipment order drawing for materials of construction.
 [2] Model 4 shown. Other models ranging from 2 to 24 elements available. Refer to equipment order drawing for model supplied.
 [3] Optional end configurations shown in figures above. Refer to equipment order drawing for end option, rating and housing schedule supplied.
 [4] Basic mixer shown. Options such as jackets, injectors, nozzles and drains are shown on equipment order drawing.

PARTS DRAWING — STYLE KMR w/RING RETENTION [4]



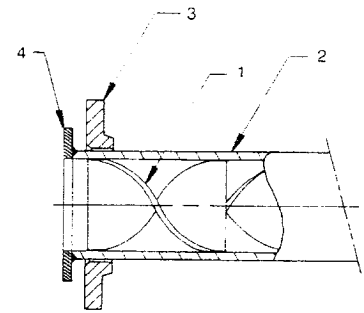
ITEM	DESCRIPTION	MAT'L
3	RFSO Flange (2)	1

w/RAISED FACE SLIP-ON FLANGES



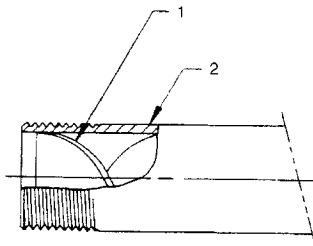
ITEM	DESCRIPTION	MAT'L
3	RFWN Flange (2)	1

w/RAISED FACE WELD-NECK FLANGES

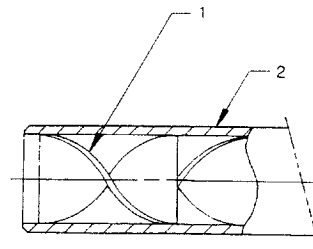


ITEM	DESCRIPTION	MAT'L
3	Lap Joint Flange (2)	C. Steel
4	Stub-End Ring (2)	1

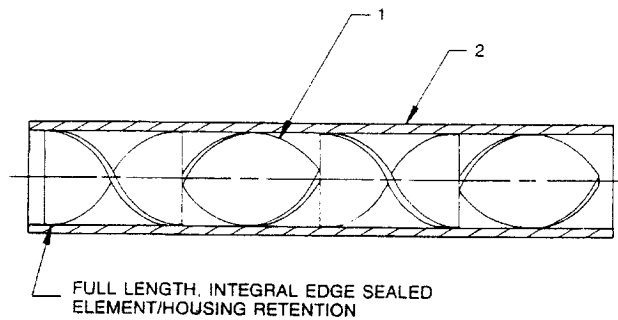
w/LAP JOINT FLANGES



w/THREADED ENDS



w/WELD-PREPARED ENDS



FULL LENGTH, INTEGRAL EDGE SEALED
ELEMENT/HOUSING RETENTION

ITEM	DESCRIPTION	MAT'L
1	Element Assembly	1
2	Housing	1

BASE MIXER w/PLAIN ENDS 2 3

- NOTES: 1 Refer to equipment order drawing for materials of construction.
 2 Model 4 shown. Other models ranging from 2 to 24 elements available. Refer to equipment order drawing for model supplied.
 3 Optional end configurations shown in figures above. Refer to equipment order drawing for end option, rating and housing schedule supplied.
 4 Basic mixer shown. Options such as jackets, injectors, nozzles and drains are shown on equipment order drawing.